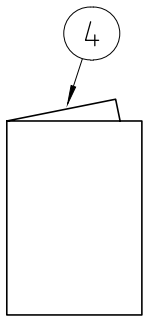
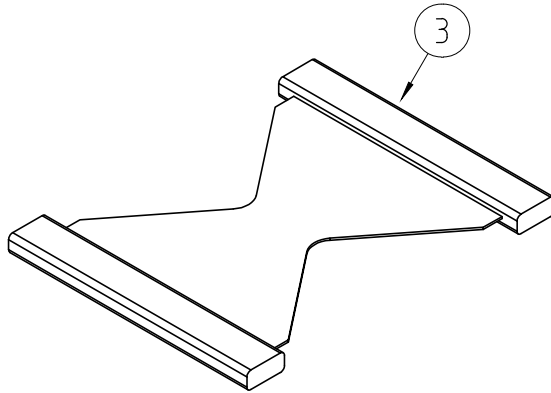
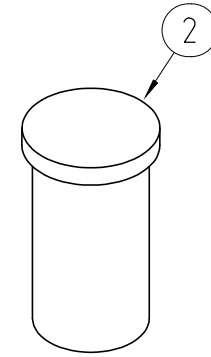
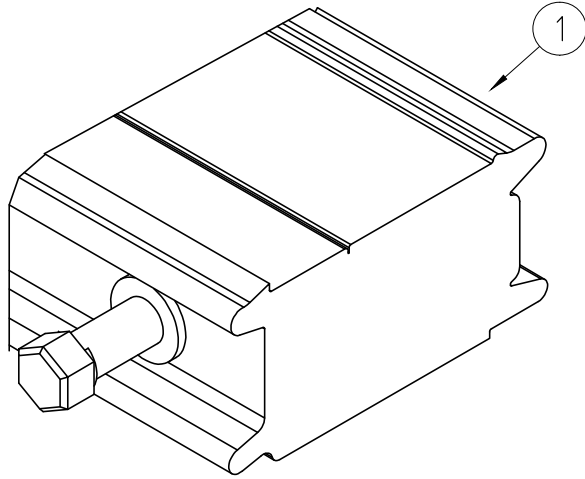




烙克塞克保留所有权利。未经授权严禁复制，
使用以及向第三方泄露。

All rights reserved. Unauthorized reproduction, use
or disclosure to third parties is strictly forbidden.



NOTE:
ROXTEC WEDGE KIT IS AVAILABLE IN BOTH
GALVANIZED AND STAINLESS STEEL

Item	Qty	Designation	Specification	Net Weight
4	1	INST. INSTRUCTION		
3	5	STAYPLATE	GALVANIZED / ACID PROOF ST. STEEL	
2	1	LUBRICANT	TALLOW 25ML	
1	1	WEDGE 60	GALVANIZED / ACID PROOF ST. STEEL	

General Tolerance ISO 2768-1/2-m/K EN ISO 1920-BF	Welded details EN ISO 5817-B EN ISO 10042-B	General surface roughness, Ra 12.5	Designed by se-jenboh	Created Date 2016-10-20	Latest save date 2016-10-20	Format A3	Scale 1:1	Sheet no	Total Weight -
 Roxtec www.roxtec.com			Title WEDGE 60 WEDGE KIT Restricted due to		Drawing number S1516592		Projection method 		Rev A

A		2016-10-20	se-jenboh
Rev	Type of revision	Date	Sign